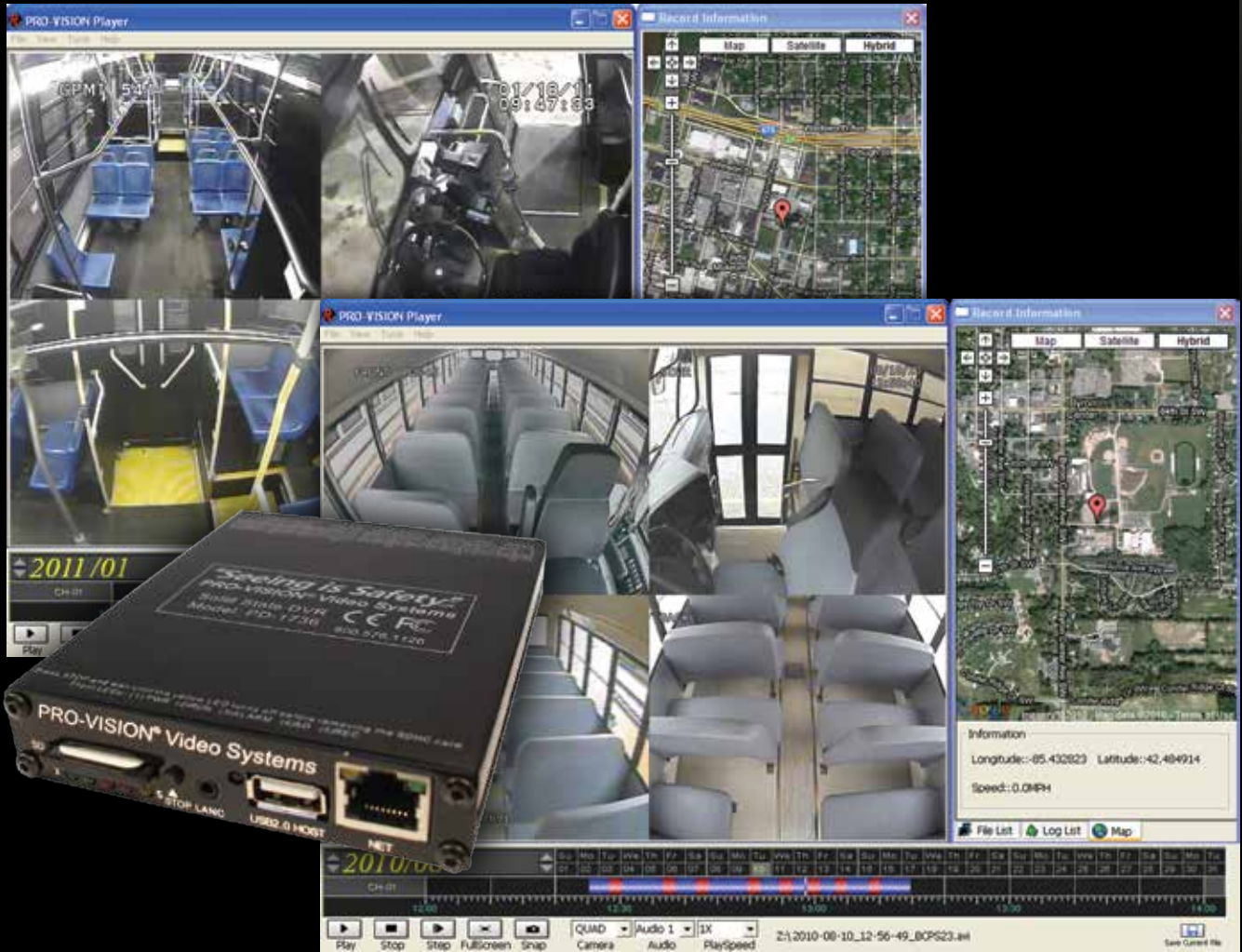


The most Reliable, Simple and Affordable™ Bus Video System!



RELIABLE • SIMPLE • AFFORDABLE™



The most Reliable, Simple and Affordable™ Bus Video System!



Constant Video

Event Alarm Video

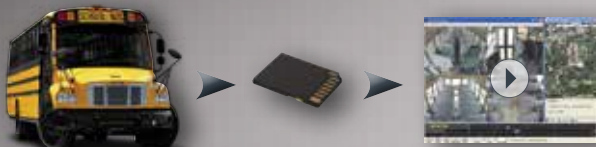
Just point, click and you are viewing video!

Complete Bus Security

A PRO-VISION® Solid State School Bus & Light Transit Video System will provide a video record of persons entering the door, the driver, front row passengers and all the way to the rear seating area in any lighting condition. This unmatched video coverage allows you to better manage behavior and resulting activities to ensure complete bus security.

Direct to SDXC Card Video Recording

The PRO-VISION® Solid State School Bus & Light Transit Video System records Constant and Event Alarm Video directly to the same removable SDXC Card. With a PRO-VISION® System, you will never have to upload video to a jump drive or remove an unreliable hard drive.



SDXC Card to Computer Video Viewing

When you are ready to view your recorded video just transfer files wirelessly or remove the SDXC Card. With just a few mouse clicks you will be viewing your recorded video. *It just doesn't get any easier!*

3 Forms of Video Capture

#1. Constant Video

When triggered by the ignition, the PRO-VISION® Solid State School Bus & Light Transit Video System will begin to loop record up to 430 hours of Constant Video to the SDXC Card. The PRO-VISION® System will continue to record up to 24 hours after the vehicle's ignition is switched off.

#2. Event Alarm Video

When triggered multiple ways, more than 15 minutes of Pre and Post Event Alarm Video is recorded to the SDXC Card. If part of an incident is not captured in the Event Alarm Video, the Constant Video can be reviewed from the same SDXC Card.

#3. JPEG Image File

With the included PRO-VISION® Viewing Software, a still image with an available integrated GPS Map can be saved as a JPEG file from either Constant or Event Alarm Video.

✓ Reliable

... No moving parts or hard drive to fail!



Rugged Solid State Design

Solid State Design means the absence of all moving parts. All hard drive based systems have moving parts in the actual hard drive. In a mobile application these moving parts are adversely affected by heat, cold, dust, humidity and vibration. Inevitable failures cause lost video, time and money. The *PRO-VISION® Solid State School Bus & Light Transit Video System* has a state-of-the-art Solid State Design. Because there are no moving parts, a *PRO-VISION® System* is more reliable than any system with a hard drive. *PRO-VISION®* backs this bold reliability claim with the longest standard warranty in the industry—5 YEARS!

✓ Simple

... SDXC Card to Computer Video Viewing!

✓ Affordable™

... Cost less than any other comparable system!



Wireless File Transfer & Remote Viewing

With this feature, you are able to copy any video file remotely while the system is operating either by manually or automatically downloading the video files. Remote Viewing allows you to watch, in real time, the view that is being recorded by the *PRO-VISION® Solid State School Bus & Light Transit Video System* through a Wi-Fi, 3G, or 4G connection.



Guaranteed Reliable

5 YEAR SYSTEM Warranty* | **LIFETIME SDXC Card Warranty***



Color Night Vision Cameras

Solid Aluminum Construction, Glass Exterior Lenses and Metal, Screw-Type Connectors will provide years of unmatched performance. 24 Night Vision Illuminators will ensure all activities are recorded no matter what the lighting conditions.



HD Quality Video

With the ability to record up to 4 cameras simultaneously at 120 Frames per Second at D1 720x480 resolution, a *PRO-VISION® Solid State Bus Video Recording System* will provide the absolute best video quality.



Enhanced Event Marker Button

This optional, enhanced feature enables an additional method for triggering Event Alarm Video of a specific incident to be recorded for quick future review. As an added bonus, a built in status light will indicate the system is functioning properly.



Quad Zone™ Noise Canceling Audio

With an electronically filtered microphone built in to each *PRO-VISION® Camera* and system configurations up to four cameras, you will have complete audio coverage on your bus. Each available channel of audio is individually selectable during video review. External microphones are also available.



Integrated GPS Mapping

By simply connecting an optional *PRO-VISION® GPS Antenna*, you will know your vehicle's location and speed. Use the included *PRO-VISION® Viewing Software* and your video will also display with an integrated GPS Map. The GPS Antenna will also enable the use of the systems Max Speed Setting to trigger Event Alarm Video when a selected speed is achieved.

PRO-VISION® Quick Facts:

- ✓ Reliable Solid State Design
- ✓ 5 YEAR System Warranty
- ✓ LIFETIME SDXC Card Warranty
- ✓ HD Quality Video
- ✓ Wireless File Transfer
- ✓ Integrated GPS Mapping
- ✓ Simple Viewing Format
- ✓ Absolutely Unbeatable Value

* Visit seeingissafety.com for full warranty details.



Contact us to learn more or to schedule an on-site demonstration!

Reliable • Simple • Affordable™

Single Camera (System # DVR-704) Includes:

- Solid State DVR
- Lockable Cage
- SDXC Memory Card
- 2.8mm Dome Camera
- 10m AV Cable
- Software & Guides

Popular Options & Accessories:

- SDXC Card Reader ... DVR-102
- SDXC Memory Card ... DVR-714
- Event Marker Button ... DVR-710
- GPS Antenna ... DVR-750
- Lockable Enclosure ... DVR-715
- Audio Microphone Kit ... DVR-716
- Laptop Viewing / Configuration Kit

• Additional Camera Kits sold separately. Please select a second, third or fourth camera kit from the chart below.
 • There are no camera substitutions when ordering a Single Camera System (part# DVR-704). If you would like to specify each camera individually, a system with no camera may be ordered. (part# DVR-704CD).
 • See your PRO-VISION® Representative for additional options and accessories.

PRO-VISION® 4 Channel Solid State Bus Video System

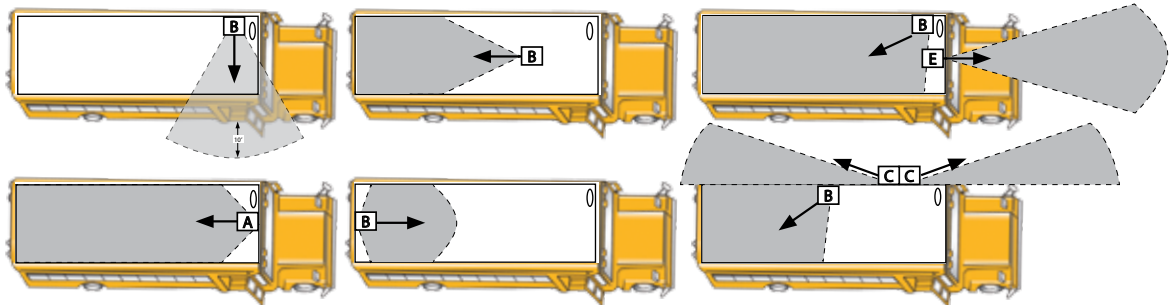


Fleet installation services available.

If you are installing your own system(s), an LCD Monitor Camera Aiming / System Configuration Kit (part# DVR-105) or a Laptop Viewing / Configuration Kit (part# DVR-107) is recommended. These are the same kits used by PRO-VISION® Installation Teams. With either a LCD Monitor or Laptop Interface to aim the camera(s) and configure system settings, your installation is ensured to be fast and simple.

	Included Storage Device	File System	File Format	Video Compression	Video Quality	Frame Rate	Memory Capacity	Expanded Memory Capacity	Video Channels	Audio Channels	Auto Overwrite	Alarm Inputs	On Screen Display	Video Search	Password Protected	Remote Control	Connectors	Mounting Space Requirement	Housing Material
Solid State DVR	64GB / Class 10 SDXC Card	FAT 32	AVI	H.264	D1 720 x 480	up to 30 fps	up to 430 Hours	up to 2 TB	4	4	Yes	4	Yes	Yes	Yes	Yes	Positive Locking	6.5"(L) x 4"(W) x 1"(H)	Extruded Aluminum / Stamped Steel

With the best selection of rugged, reliable cameras in the industry, PRO-VISION® has the right camera to meet any video coverage requirement! Visit our interactive website to see more camera positions and configurations!

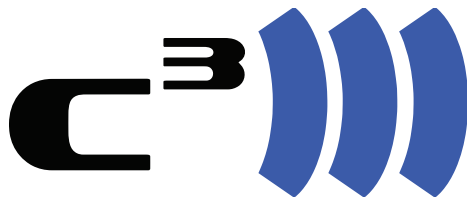


	ADDITIONAL CAMERAS	Kit Number *	Lens Size	Image Sensor	Resolution	Night Vision	Low Light Rating	Infrared Illuminators	Lens Material	Built in Microphone	Connector	Dimensions	Housing Material
A	Wide Angle Dome Night Vision Camera Kit	DVR-122	2.8mm	Color - 1/3 CCD	420 TV Lines	Yes	0 lux at 35'	24	Glass	Yes	Metal/Screw Type	3.75"(dia) x 3.0"(H)	Cast Aluminum
B	Standard Dome Night Vision Camera Kit	DVR-129	3.6mm	Color - 1/3 CCD	420 TV Lines	Yes	0 lux at 35'	24	Glass	Yes	Metal/Screw Type	3.75"(dia) x 3.0"(H)	Cast Aluminum
C	Mid Focus Dome Night Vision Camera Kit	DVR-128	8.0mm	Color - 1/3 CCD	420 TV Lines	Yes	0 lux at 35'	24	Glass	Yes	Metal/Screw Type	3.75"(dia) x 3.0"(H)	Cast Aluminum
D	Rear Focus Dome Night Vision Camera Kit	DVR-126	16.0mm	Color - 1/3 CCD	420 TV Lines	Yes	0 lux at 35'	24	Glass	Yes	Metal/Screw Type	3.75"(dia) x 3.0"(H)	Cast Aluminum
E	Windshield Deck Camera Kit	DVR-131	3.6mm	Color - 1/3 CCD	420 TV Lines	No	0.5 lux	0	Glass	No	Metal/Screw Type	2.65"(L) x 1.5"(W) x 1.5"(H)	Machined Aluminum

*Includes camera and 10 meter AV cable. If mounting camera in far rear bulkhead area, an additional AV cable (part # PX-1002) must be purchased.

Need a Rear Vision System? Visit our website for the best selection in the industry!

Local Sales & Support by:



Business Communications Systems
 5685 Hummer Lake Road, Oxford, MI 48371
 248-969-3110 | www.c3bcs.com

An American Corporation

PRO-VISION® Video Systems

Rugged, Reliable Rear Vision & Video Recording Systems™

800.576.1126 • SEEINGisSAFETY.com



8625-B Byron Commerce Drive S.W.
 Byron Center, MI 49315 USA
 P 616.583.1520 • F 616.583.1522

Email us through our website!



Specifications and design subject to change without notice.
 Copyright © 2014 PRO-VISION, Inc. All Rights Reserved.
 PRO-VISION® aggressively protects all products and copyrighted materials with patents and trademarks.

Solid State BS Literature... part# PL-5800
 rev 05/14

All PRO-VISION® Production, Customer Service, Warranty Claim and Repair Facilities are located in the United States and may be reached toll free!
 800.576.1126 • PRO-VISION® Video Systems • seeingissafety.com